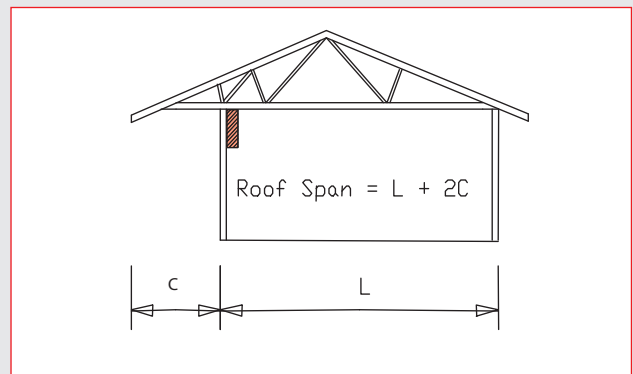
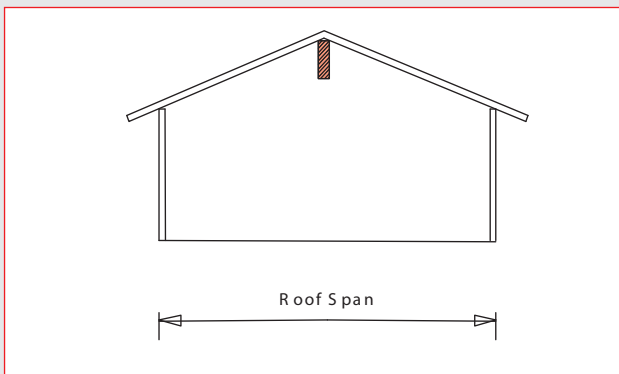
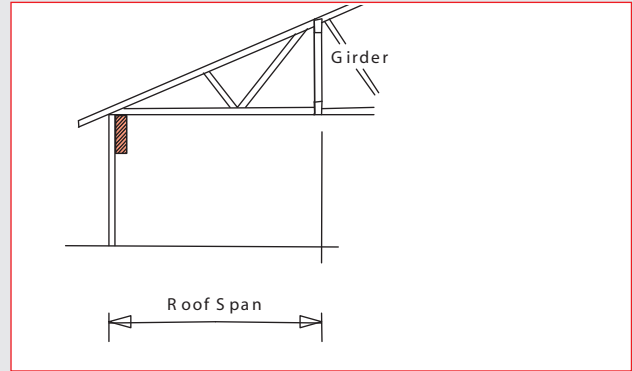
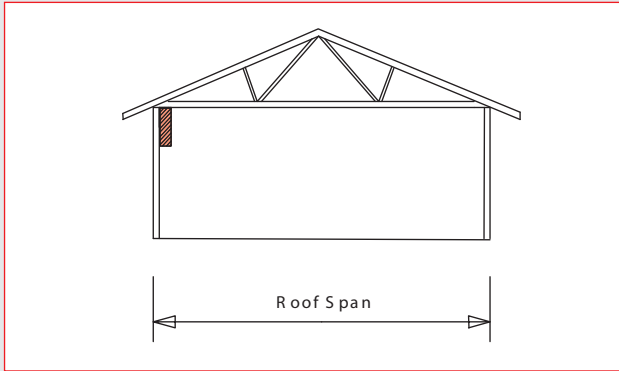


Roof Loads Only - MSG6 Timber



LINTEL SUPPORTING LIGHT ROOF (ALL WIND) 1.0KpA SNOW

Table 1a	LINTEL SIZE supporting LIGHT ROOF							
Lintel Type	MAXIMUM LINTEL SPAN							
	Girder Span							
	5	6	7	8	9	10	11	12
150PF6	2.86	2.66	2.51	2.37	2.26	2.16	2.07	2.00
200PF6	3.88	3.62	3.41	3.23	3.07	2.94	2.82	2.72
200PF8	4.33	4.04	3.80	3.60	3.43	3.28	3.15	3.03
200PF10	4.53	4.39	4.15	3.94	3.75	3.59	3.45	3.32
250PF6	4.90	4.57	4.30	4.08	3.72	3.72	3.57	3.44
250PF8	5.18	5.01	4.80	4.55	4.34	4.15	3.98	3.84
250PF10	5.39	5.22	5.07	4.94	4.74	4.54	4.36	4.20
300PF6	5.67	5.48	5.19	5.20	4.97	4.77	4.56	4.40
300PF8	5.96	5.77	5.60	5.46	5.23	5.01	4.81	4.64
300PF10	6.20	6.00	5.84	5.69	5.56	5.44	5.26	5.07

LINTEL SUPPORTING HEAVY ROOF (ALL WIND) 1.0KpA SNOW

Table 2a	LINTEL SIZE supporting HEAVY ROOF							
Lintel Type	MAXIMUM LINTEL SPAN							
	Girder Span							
	5	6	7	8	9	10	11	12
150PF6	2.48	2.31	2.18	2.06	1.96	1.87	1.80	1.73
200PF6	3.38	3.15	2.96	2.80	2.67	2.55	2.45	2.36
200PF8	3.84	3.58	3.37	3.19	3.04	2.90	2.79	2.68
200PF10	4.03	3.84	3.61	3.42	3.26	3.12	2.99	2.88
250PF6	4.26	3.98	3.74	3.55	3.38	3.23	3.10	2.99
250PF8	4.69	4.44	4.18	3.96	3.77	3.61	3.46	3.33
250PF10	4.89	4.73	4.57	4.33	4.12	3.94	3.79	3.65
300PF6	5.13	4.80	4.52	4.54	4.30	4.12	3.96	3.80
300PF8	5.40	5.22	5.05	4.78	4.56	4.36	4.18	4.03
300PF10	5.63	5.44	5.29	5.15	4.98	4.77	4.58	4.41