

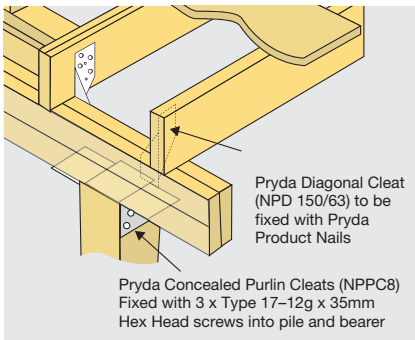


Home Owners Earthquake Resilience Kits

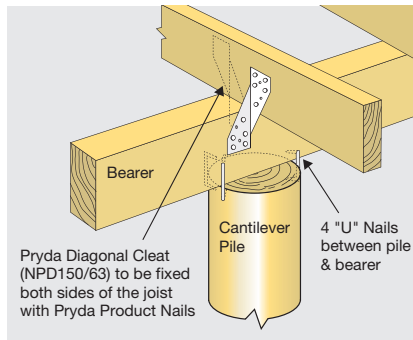
These kits contain timber connectors suitable to increase the seismic resilience of your home in an earthquake

Kit Applications

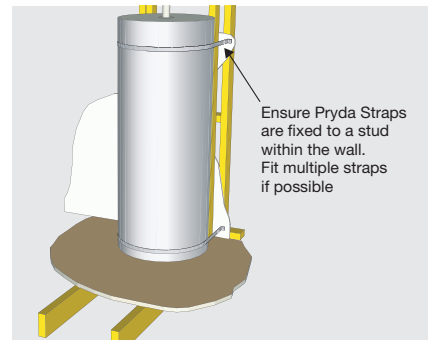
The products within the kits are suitable for the following applications



CONNECTIONS
Bearer to Joist



CONNECTIONS
Pile to Bearer



RESTRAINT
Hot Water Cylinder and Header Tank

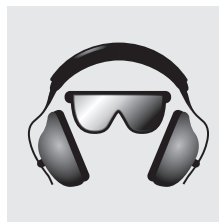
Required Tools



Hammer



Electric drill



Ear and Eye Protection

NOTE

When using electrical equipment make sure there is a residual current device (Safety Switch)

For more information call 0800 88 22 44 or visit the Pryda website

www.pryda.co.nz

Kit Type

CONCRETE PILE



Code: EQRKC

Kit Contents

- > 50 x Pryda Concealed Purlin Cleats (2 x Cartons NPPC8)
- > 30 Left Hand and 30 Right Hand, Pryda Diagonal Cleats (3 x Cartons NPD150/63)
- > 1 x Roll Pryda Mild Steel Strap - 30m x 25mm x 1mm (1 x SBS30M)
- > 200 x Screws - Type 17, 12 gauge x 35mm
- > 1 x Buildex Drive Bit
- > 440 x Pryda Product Nails - 30mm x 3.15mm (2 x 500g clams GBC030315)
- > 200 Masonry Screws (2 x Cartons SHW4 - 134 Tap Con Screws)

This kit contains sufficient fixings for 25 x concrete pile to bearer connections; 30 x bearer to joist connections; strapping to restrain hot water cylinders and header tanks.

TIMBER PILE



Code: EQRKW

Kit Contents

- > 50 x Pryda Concealed Purlin Cleats (2 x Cartons NPPC8)
- > 30 Left Hand and 30 Right Hand, Pryda Diagonal Cleats (3 x Cartons NPD150/63)
- > 1 x Roll Mild Steel Strap - 30m x 25mm x 1mm (1 x SBS30M)
- > 400 Screws - Type 17, 12 gauge x 35mm
- > 1 x Buildex Drive Bit
- > 440 x Pryda Product Nails - 30mm x 3.15mm (2 x 500g clams GBC030315)
- > 100 Pryda U Nails (1 x Carton MPZU)

This kit contains sufficient fixings for 25 x timber pile to bearer connections; 30 x bearer to joist connections; strapping to restrain hot water cylinders and header tanks.

Due to variations in New Zealand building methods not all possible applications may be catered for in this kit. Pryda takes no responsibility for any damages incurred during a seismic event.